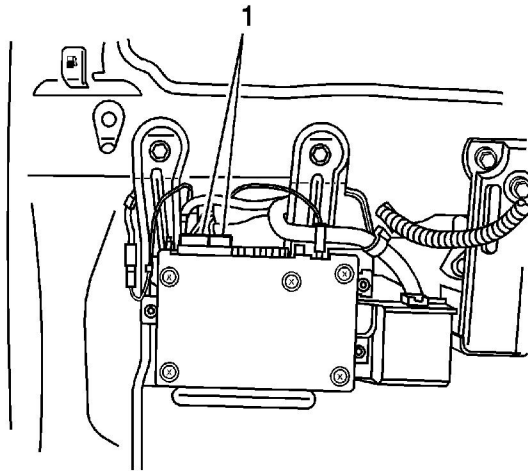


# Communication Interface Module Replacement

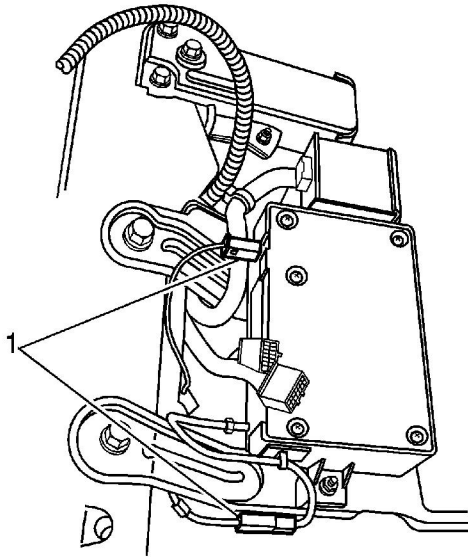
## Removal Procedure

**Caution:** Refer to [Battery Disconnect Caution](#) in the Preface section.

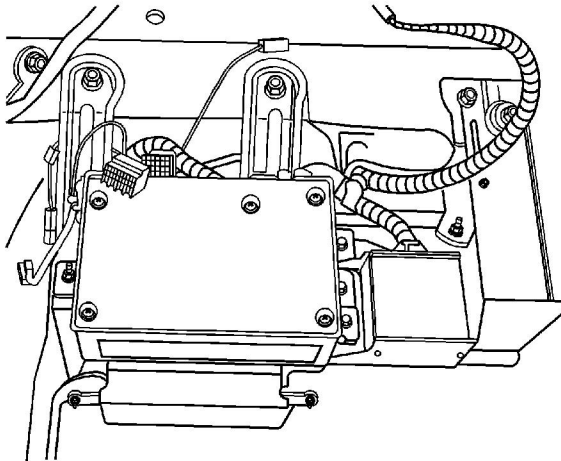


**Important:** The vehicle communication interface module (VCIM) has a specific set of unique numbers that tie the module to each vehicle. These numbers, the 10-digit station identification and the 11-digit electronic serial number, are used by the National Cellular Network and OnStar® to identify the specific vehicle. Because these numbers are tied to the vehicle identification number of the vehicle, you must never exchange these parts with those of another vehicle.

1. Disconnect the battery ground cable.
2. Position the seat to the most rearward position.
3. Disconnect two vehicle communication interface module electrical connectors (1).

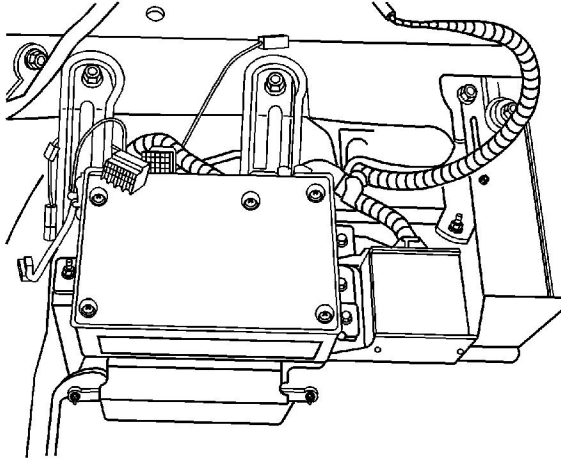


4. Disconnect the cellular antenna and the navigation radio antenna connectors (1).



5. Position the seat to the most forward position.
6. Remove 3 vehicle communication interface module retaining nuts.
7. Remove the vehicle communication interface module from the vehicle.

### **Installation Procedure**



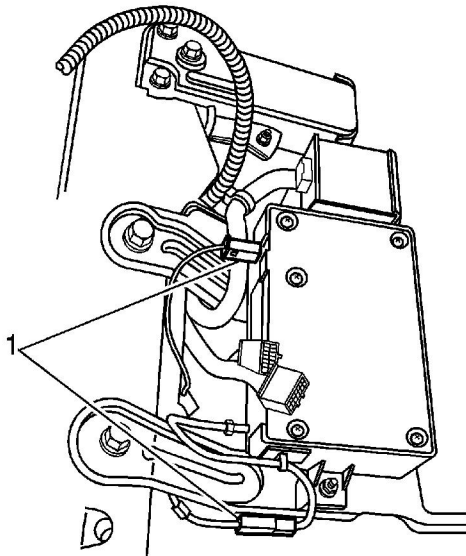
1. Position the VCIM in the vehicle.

**Notice:** Refer to [Fastener Notice](#) in the Preface section.

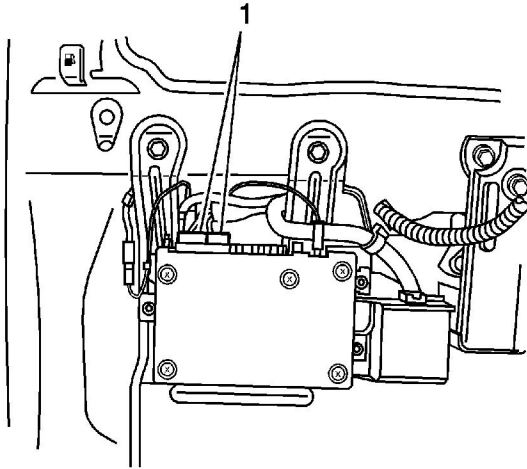
2. Install the nuts (1).

**Tighten**

Tighten the nuts (1) to 4 N·m (36 lb in).



3. Position the seat to the most rearward position.
4. Connect the cellular antenna and the navigation radio antenna connectors (1).



5. Connect two vehicle communication interface module electrical connectors (1).

**Caution:** Refer to [Battery Disconnect Caution](#) in the Preface section.

6. Connect the battery ground cable.

**Important:** If replacing the vehicle communication interface module, you must reconfigure the OnStar® system.

7. Reconfigure the OnStar® system. Refer to [Control Module References](#) for programming and setup information.